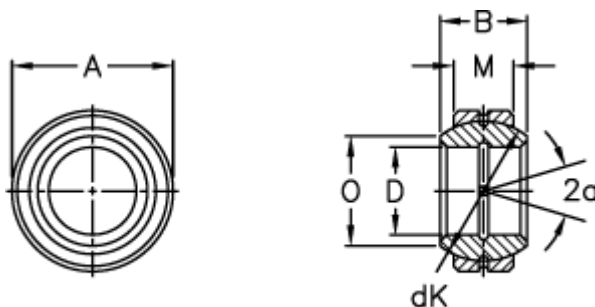


Article number: 03506015

Description: Fluro Rod end GE 15FO-2RS

## Measures



Str. 6–12 uden smørerille

A	= 30 0 -0,009	Tilt angle = 16
B	= 16	Weight = 46
D	= 15 0 -0,008	
dK	= 25	
Dynamic load C (kN)	= 21.2	
M	= 10	
O	= 19.2	
Static load C0 (kN)	= 106	